

Assembly Instructions

Model:	NAV®
Description:	Flip-Down Windshield
Part Number:	99994-2075
Assembly Time:	30 Minutes

Before you begin, read these instructions and check that all parts are present. Please note that Kawasaki cannot assume any responsibility for damage resulting from incorrect installation.

Kawasaki recommends that an authorized Kawasaki dealer fit all genuine accessories.

The following symbols indicate the proper installation and operation information in this instruction.



: DANGER indicates a hazardous situation that, if not avoided, will result in death or serious injury.



: WARNING indicates a hazardous situation that, if not avoided, could result in death or serious injury.



: NOTICE is used to address practices not related to personal injury.

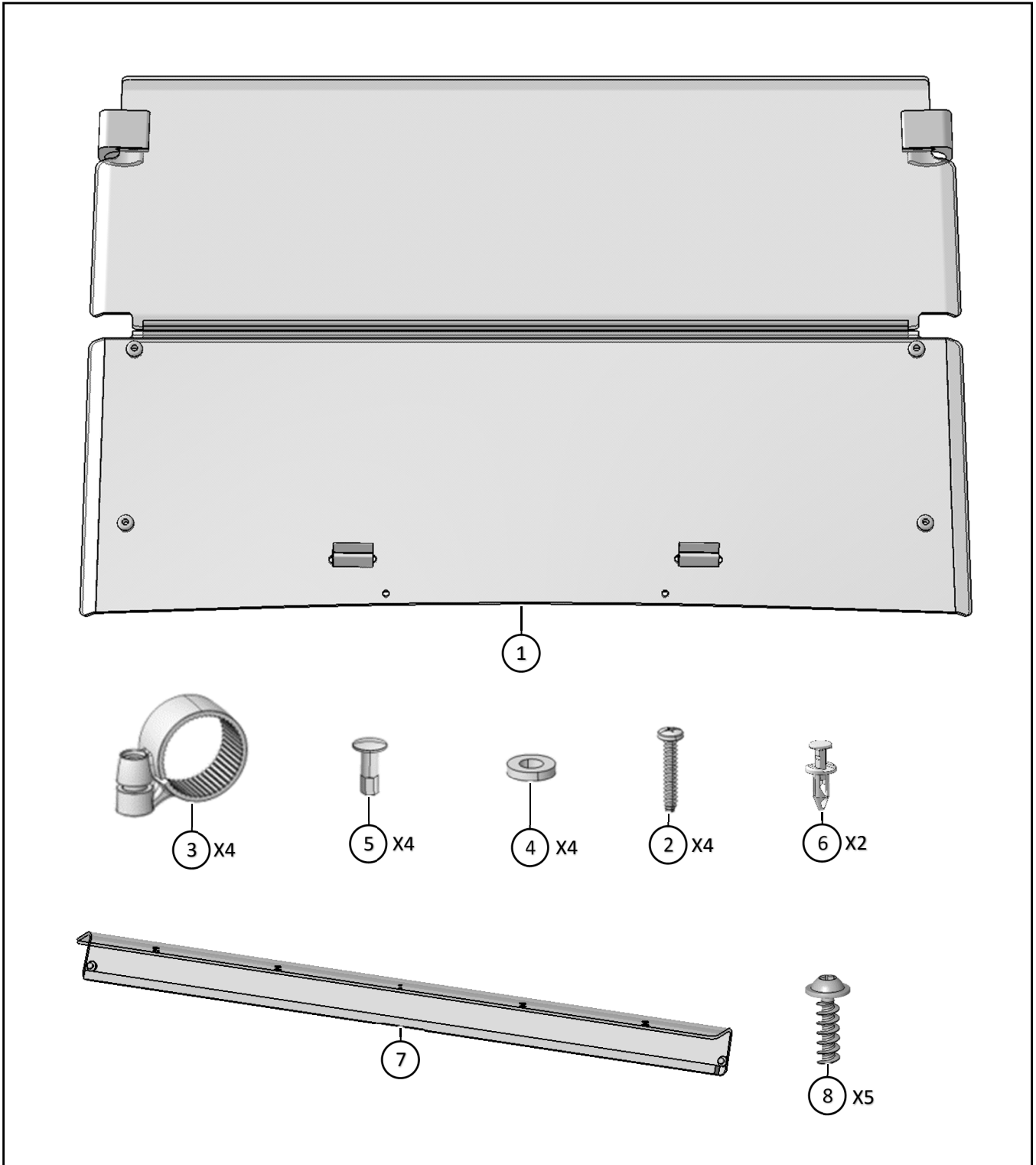
NOTE

: *NOTE indicates information that may help or guide you in the operation or service of the vehicle.*

- Indicates a procedural step or work to be done.
- Indicates a procedural sub-step or how to do the work of the procedural step it follows. It also precedes the text of a NOTE.
- ★ Indicates a conditional step or action.

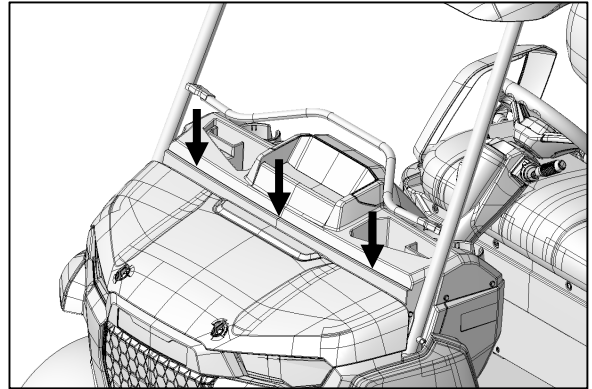
Parts List				
No.	Component Name	Qty	Service Part Number	Remark
1.	Flip-Down Windshield Assembly	1		
2.	Phillips Pan Head Screw	4		
3.	Clamp	4		
4.	Washer	4		
5.	Clamp Nut	4		
6.	Rivet	2		
7.	Upper Windshield Panel	1		
8.	Torx Pan Head Screw	5		

PARTS PHOTO

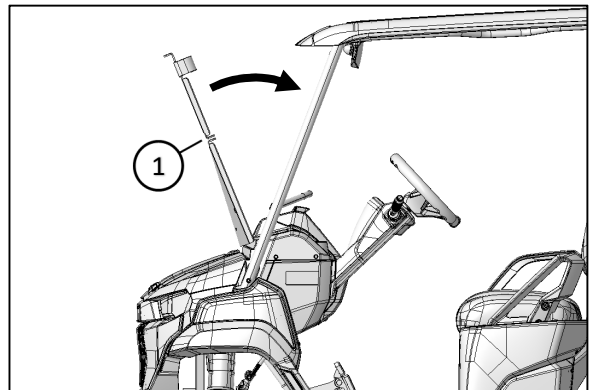


Installation Instructions

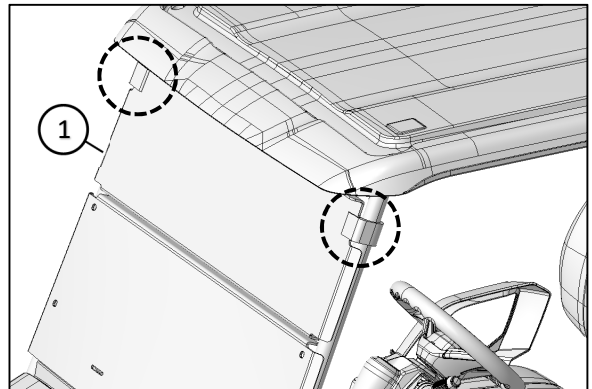
- Park the vehicle on level ground, set the parking brake, turn off the ignition switch, and set the RUN/TOW switch to the TOW position.
- Place the windshield assembly (1) on the edge of the dash shown.



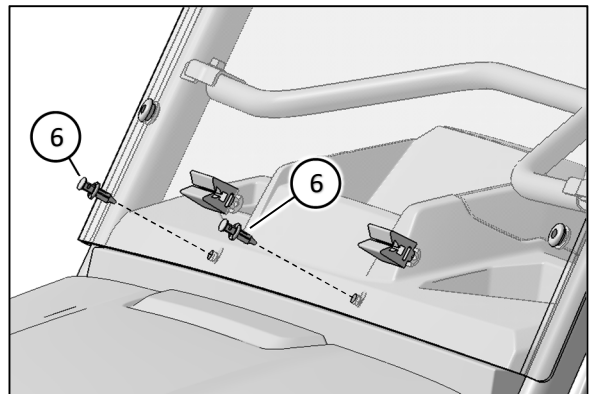
- Lay the windshield assembly (1) against the A-pillars.



- Fasten the top half of the windshield assembly (1) to the A-pillars with the rubber hooks.



- Fasten the lower edge of the windshield using rivets (6).

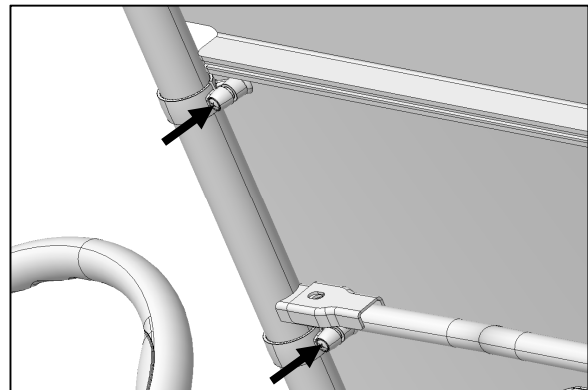
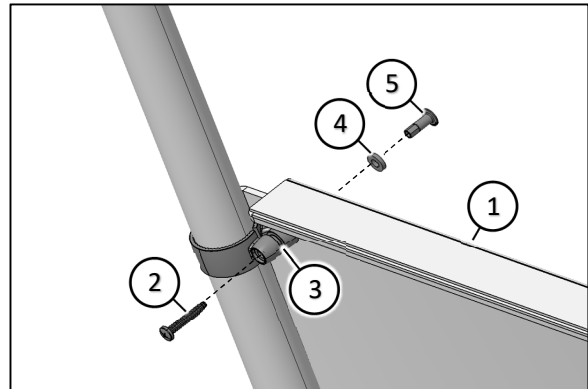


Installation Instructions

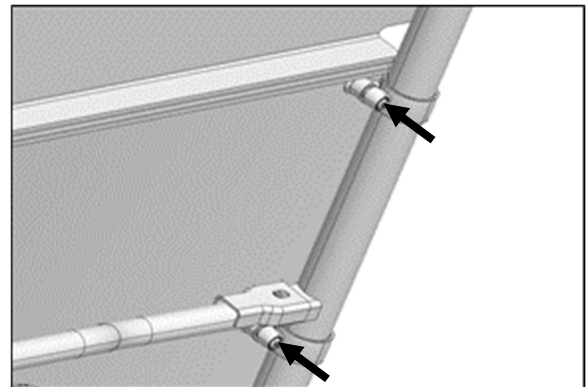
- Wrap two clamps (3) around the driver's side A-pillar. Fasten the windshield assembly (1) to the clamps using a screw (2), washer (4), and clamp nut (5).
- Leave the hardware slightly loose to allow for adjustment.

NOTE

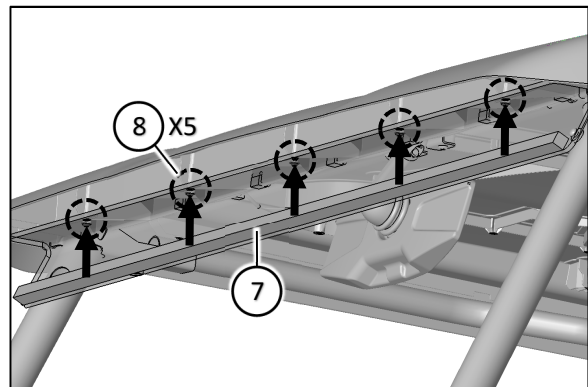
- *The washer (4) is installed on the outside surface of the windshield assembly (1).*



- Repeat installation for the passenger side of the windshield.
- Tighten all clamp hardware as follows:
Torque – Self-Tapping Screw: 1.2 N·m (11 in-lb).



- Flip the windshield down.
- Install the upper windshield panel (7) using five Torx pan head screws (8).
- Torque – Self-Tapping Screw: 1 N·m (9 in-lb).**



Installation Instructions

▲ WARNING

Before transporting the vehicle on a trailer or other unenclosed method, remove the windshield.

Enjoy your Kawasaki genuine accessory!

