

Assembly Instructions

| | |
|----------------|--------------|
| Model: | NAV® |
| Description: | Side Mirrors |
| Part Number: | 99994-2077 |
| Assembly Time: | 30 Minutes |

Before you begin, read these instructions and check that all parts are present. Please note that Kawasaki cannot assume any responsibility for damage resulting from incorrect installation. Kawasaki recommends that an authorized Kawasaki dealer fit all genuine accessories.

The following symbols indicate the proper installation and operation information in this instruction.

⚠ DANGER : DANGER indicates a hazardous situation that, if not avoided, will result in death or serious injury.

⚠ WARNING : WARNING indicates a hazardous situation that, if not avoided, could result in death or serious injury.

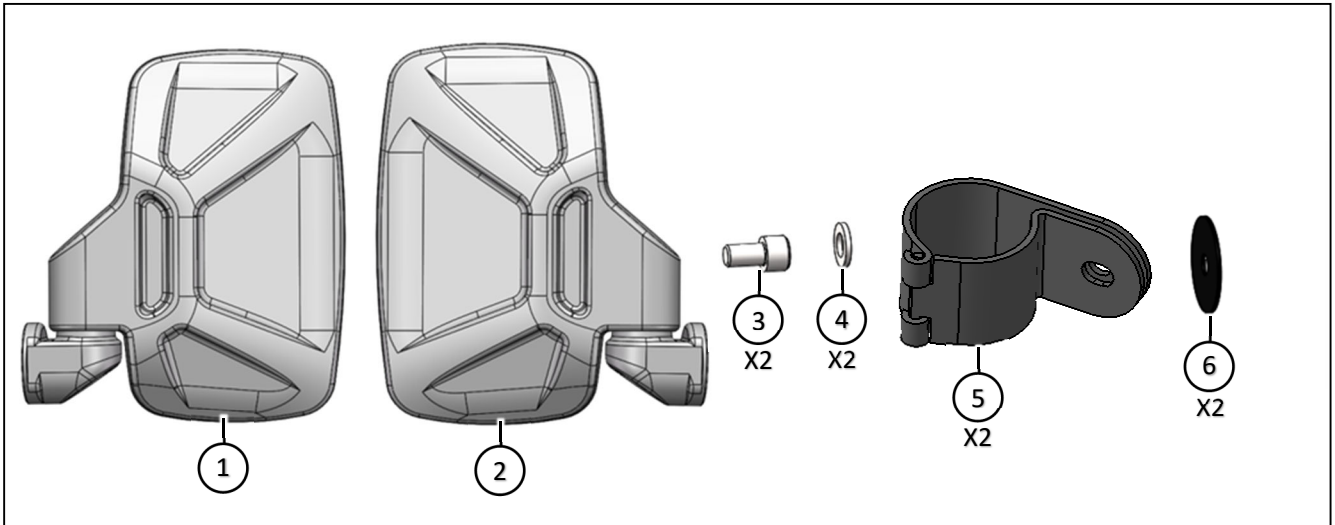
NOTICE : NOTICE is used to address practices not related to personal injury.

NOTE : *NOTE indicates information that may help or guide you in the operation or service of the vehicle.*

- Indicates a procedural step or work to be done.
- Indicates a procedural sub-step or how to do the work of the procedural step it follows. It also precedes the text of a NOTE.
- ★ Indicates a conditional step or action.

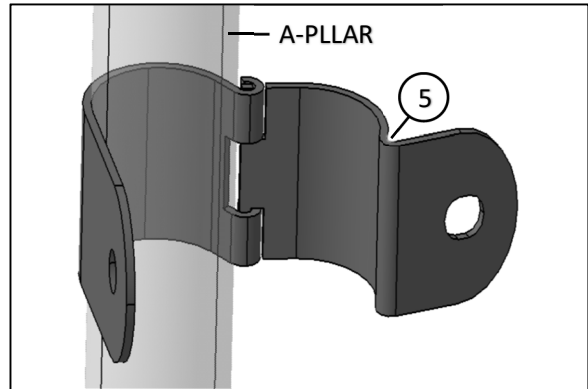
| Parts List | | | | |
|------------|--------------------------------|-----|---------------------|--------|
| No. | Component Name | Qty | Service Part Number | Remark |
| 1. | Side Mirror (Driver's Side) | 1 | | |
| 2. | Side Mirror (Passenger's Side) | 1 | | |
| 3. | M10x30 Sockethead Bolt | 2 | | |
| 4. | M10 Washer | 2 | | |
| 5. | Clamp Assembly | 2 | | |
| 6. | Rubber Damper | 2 | | |

PARTS PHOTO

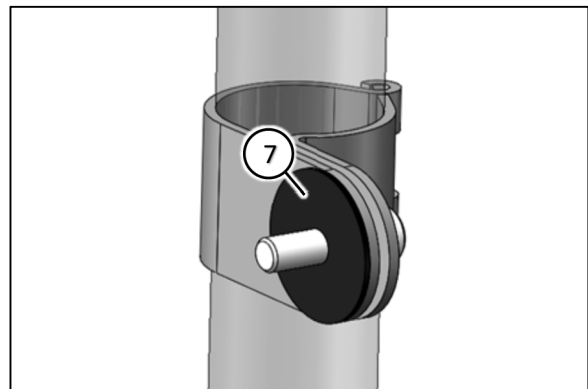
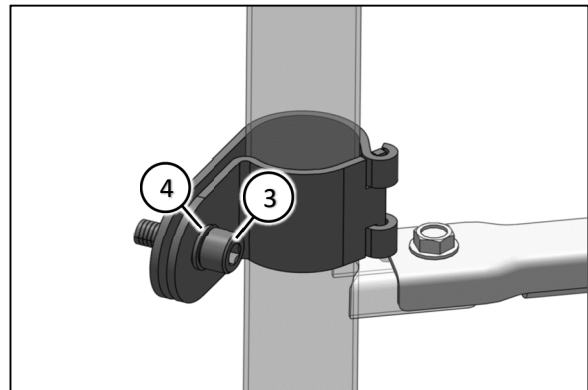


Installation Instructions

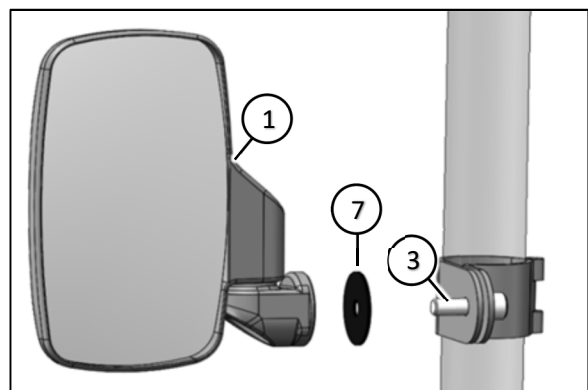
- Park the vehicle on level ground, set the parking brake, turn off the ignition switch.
- Start on driver's side. Open clamp assembly (5) and place around A-pillar.



- Close clamp around A-pillar and secure with sockethead bolt (3), washer (4) and rubber damper (7) as shown.



- Thread the M10 sockethead bolt (3) onto the side mirror (1). Do not tighten completely.



Installation Instructions

- Rotate the mirror on the clamp until it is level. When satisfied with the location and angle, tighten the socket-head bolt.

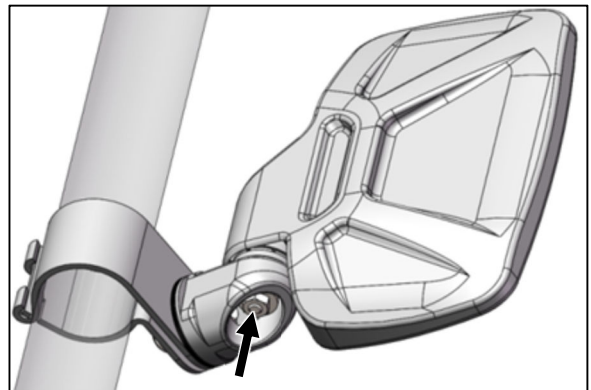
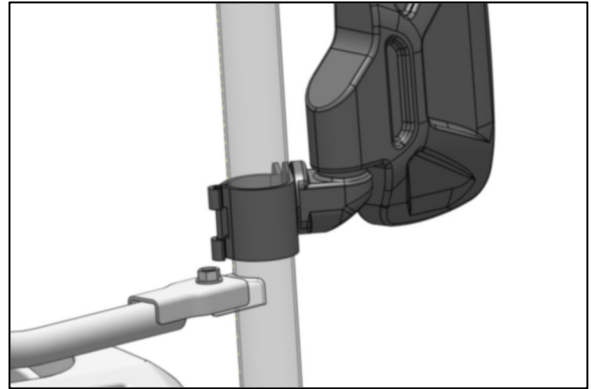
NOTE

- *The user determines the final mirror adjustment. Position the mirror at a comfortable height that allows for maximum visibility in both forward and reverse directions.*

Torque- Mount Bolts: 11 N-m (8 lb-ft)

NOTE

- *To tighten the folding feature of the mirror, tighten the tension adjustment nut on the bottom of the mirror arm until the desired pressure is required to adjust the mirror position. Pressure is held by a spring inside the mirror.*



- Repeat steps for side mirror on passenger's side (2).
- Check and adjust all fasteners at regular intervals.

Enjoy your Kawasaki Genuine Accessory!