

Assembly Instructions

Model:	NAV®
Description:	Cargo Barrier
Part Number:	99994-2086
Assembly Time:	15 Minutes

Before you begin, read these instructions and check that all parts are present. Please note that Kawasaki cannot assume any responsibility for damage resulting from incorrect installation. Kawasaki recommends that an authorized Kawasaki dealer fit all genuine accessories.

The following symbols indicate the proper installation and operation information in this instruction.

⚠ DANGER : DANGER indicates a hazardous situation that, if not avoided, will result in death or serious injury.

⚠ WARNING : WARNING indicates a hazardous situation that, if not avoided, could result in death or serious injury.

NOTICE : NOTICE is used to address practices not related to personal injury.

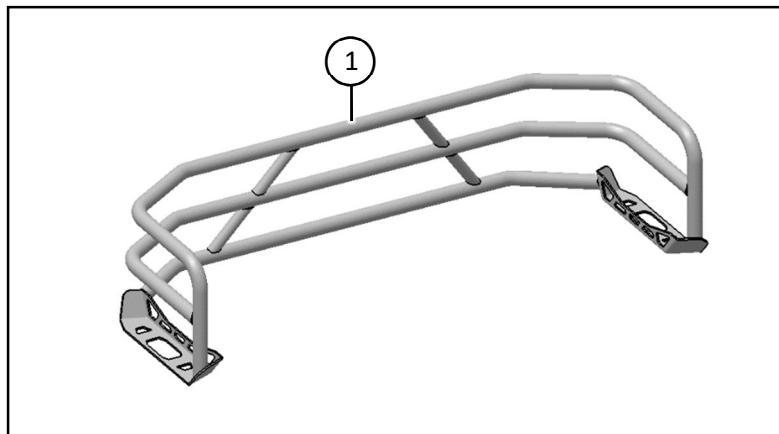
NOTE : *NOTE indicates information that may help or guide you in the operation or service of the vehicle.*

- Indicates a procedural step or work to be done.
- Indicates a procedural sub-step or how to do the work of the procedural step it follows. It also precedes the text of a NOTE.
- ★ Indicates a conditional step or action.

NOTE: Purchase of two QQR™ Mounts 99994-1782 will be required to secure the cargo barriers to the carrier bed.

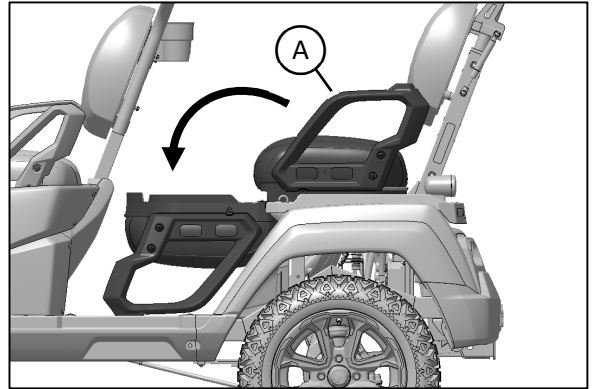
Parts List				
No.	Component Name	Qty	Service Part Number	Remark
1	Cargo Barrier	1		

PARTS PHOTO



Installation Instructions

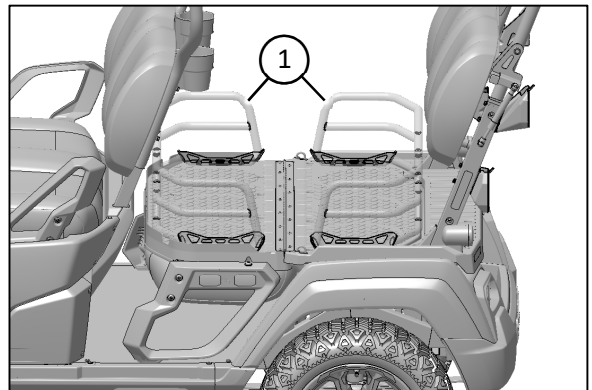
- Park the vehicle on level ground, set the parking brake, and turn off the ignition switch.
- Flip the rear bench seat (A) forward.



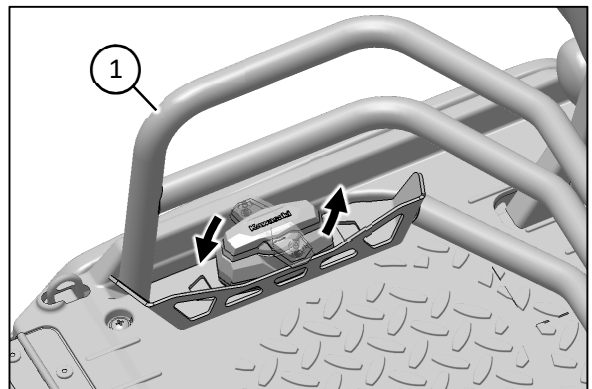
- Place the cargo barrier (1) into the carrier bed and line up with the KQR holes.

NOTE

- *Two cargo barriers are recommended for full installation in carrier bed.*

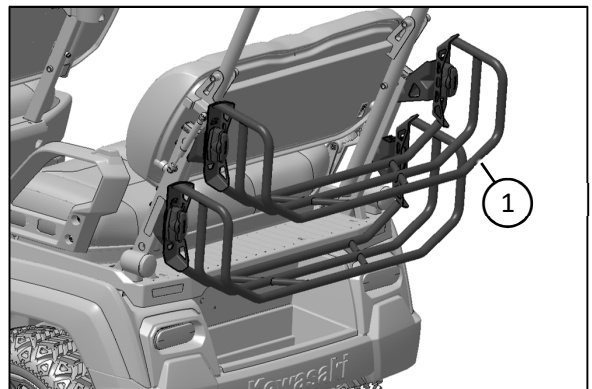


- Secure each cargo barrier (1) to the carrier bed using two KQR clamps.



NOTE

- *To securely store cargo carrier barriers (1) on the backside of the vehicle with the rear bench seat upright, use accessory attachment brackets 99994-2178 (purchased separately), as illustrated.*



Enjoy your Kawasaki Genuine Accessory!