

Assembly Instructions

Model:	NAV®
Description:	Rear Cargo Rack
Part Number:	99994-2090
Assembly Time:	5 Minutes

Before you begin, read these instructions and check that all parts are present. Please note that Kawasaki cannot assume any responsibility for damage resulting from incorrect installation.

Kawasaki recommends that an authorized Kawasaki dealer fit all genuine accessories.

The following symbols indicate the proper installation and operation information in this instruction.



: DANGER indicates a hazardous situation that, if not avoided, will result in death or serious injury.



: WARNING indicates a hazardous situation that, if not avoided, could result in death or serious injury.



: NOTICE is used to address practices not related to personal injury.

NOTE

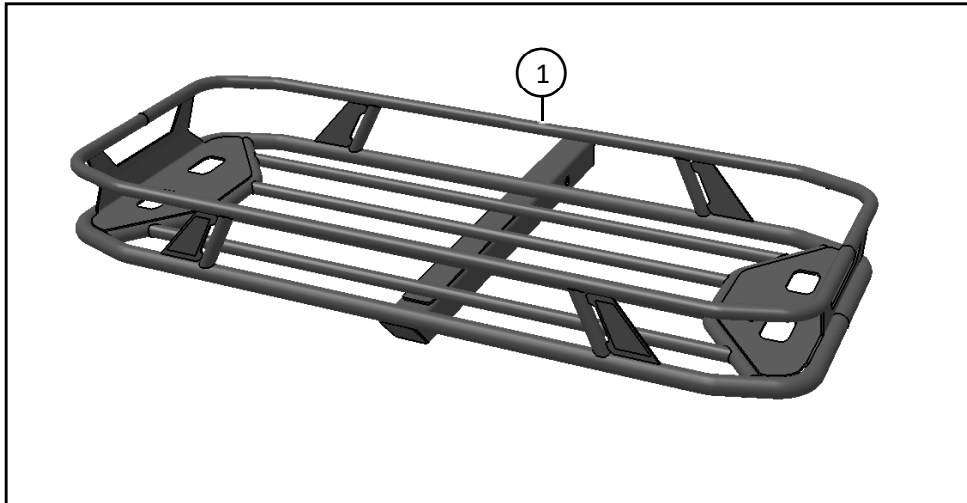
: *NOTE indicates information that may help or guide you in the operation or service of the vehicle.*

- Indicates a procedural step or work to be done.
- Indicates a procedural sub-step or how to do the work of the procedural step it follows. It also precedes the text of a NOTE.
- ★ Indicates a conditional step or action.

NOTE: Hitch pin (#TLR39) is required for the installation of the rear cargo rack (99994-2090).

Parts List				
No.	Component Name	Qty	Service Part Number	Remark
1.	Cargo Rack	1		

PARTS PHOTO

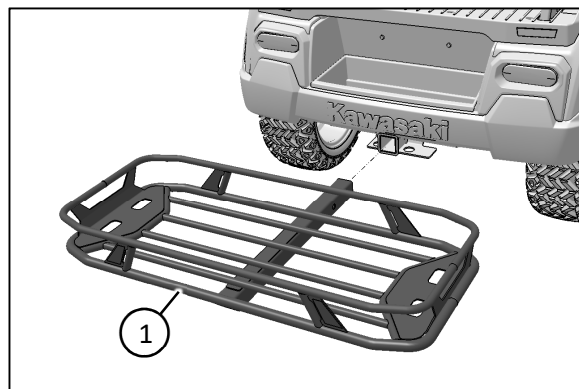


NOTICE

- Do not load rear cargo rack with more than 120 lbs. (54.4 kg) total cargo.
- Do not carry cargo that impairs performance of the vehicle.
- Do not load cargo so that it obscures the tail lights.
- Do not adversely affect ground clearance, brake or control operations, wheel movement, or any other aspects of the vehicle's operations.
- Follow loading guidelines in Owner's Manual.
- Before driving, make sure cargo rack and cargo are secured.

Installation Instructions

- Park the vehicle on level ground, set the parking brake, and turn off the ignition switch.
- Slide the cargo rack (1) into the hitch receiver.



- Line up the cargo rack holes with the hitch receiver holes and install hitch pin (#TLR39) as shown.

Enjoy your Kawasaki Genuine Accessory!

