

Kawasaki

Assembly Instructions

Part Number	Description	Model	Approx. Assembly Time
KAF080-012	Accessories Mount Clamp	Multi	NA

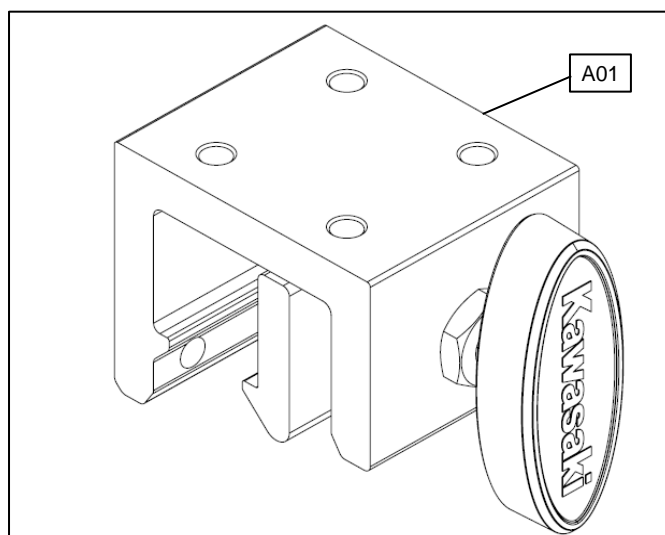
Before you begin installation, read through the installation instructions and check to be sure all parts are present.

If you are in doubt as to any part of the installation, please ask your authorized Kawasaki dealer to complete the installation. Please note that Kawasaki cannot assume any responsibility for damage resulting from incorrect installation.

Parts List:

Ref. #	Description	Qty
A01	Accessories Mount Clamp	1

Parts Diagram:



NOTE: The accessory mounting clamp is designed to install specific Kawasaki Genuine Accessories to specific vehicles. Refer to the instruction manual of the accessory you wish to install for details. Visit www.kawasaki.com or an authorized Kawasaki dealer for available accessories for your vehicle.

Please check / adjust all screws in regular intervals.