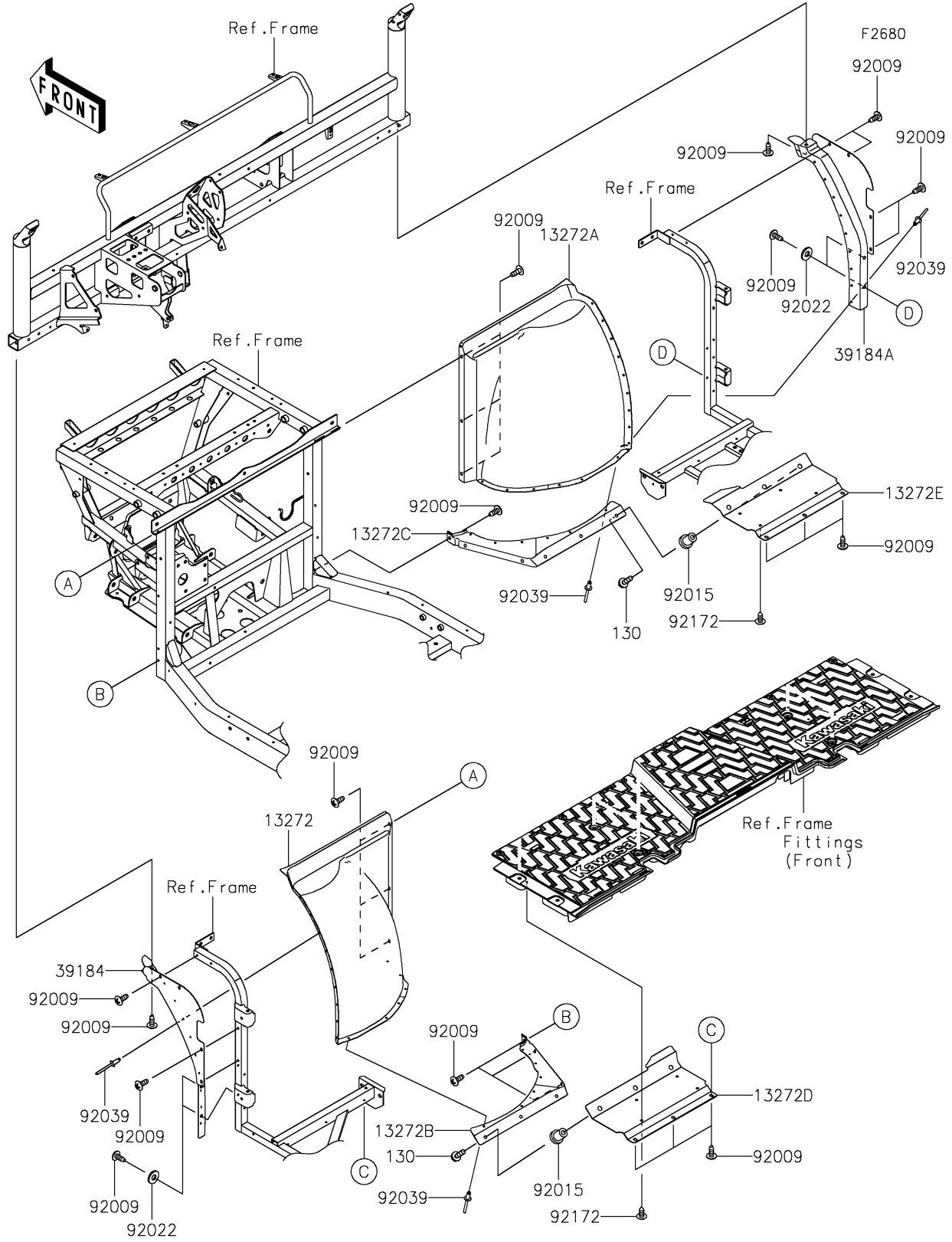


# 2019 MULE PRO-FXT™ EPS PARTS DIAGRAM

Guard(s)



# 2019 MULE PRO-FXT™ EPS PARTS LIST

Guard(s)

ITEM NAME	PART NUMBER	QUANTITY
-----------	-------------	----------